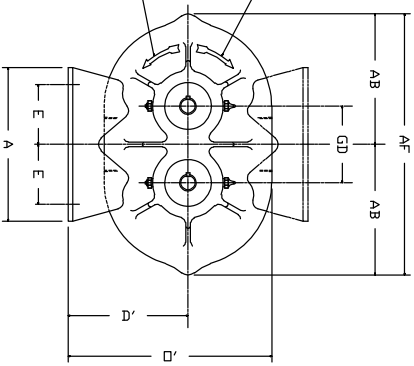
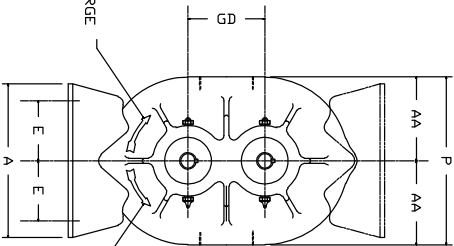
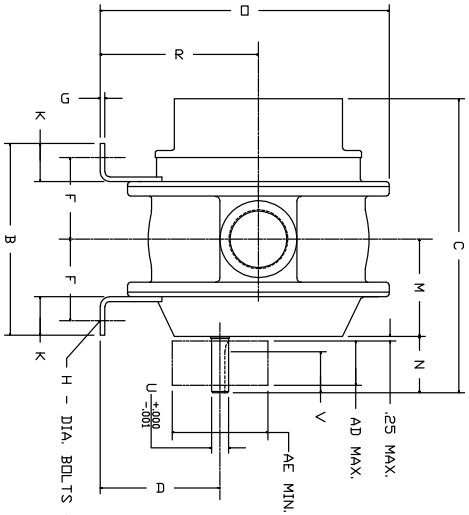


FRAME	APPROX. OIL CAPACITY
2-1/2	VERTICAL 3.4 FL. OZ. HORIZONTAL 6.1 FL. OZ.
3-1/2	8.5 FL. OZ. 16 FL. OZ.
4	12.7 FL. OZ. 22.8 FL. OZ.
5	16.0 FL. OZ. 27.6 FL. OZ.



UNIVERSAL[®] RAI BLOWER

FRAME SIZE	GD	A	B	C	D	D'	E	F	F'	G	H	K	M	N	Q	Q'	P	R	U	KEYWAY	W	V	AA	AB	AD	AE	AF	APPROX. WT., LBS.
22	2.5	5.13	5.00	9.75	3.75	3.75	1.50	2.00	2.00	.25	.38	1.25	2.63	2.50	9.63	6.88	6.25	5.00	1.88x.094	1"	1.81	3.13	4.63	1.75	4.00	9.25	32	
24	"	"	7.00	11.75	"	"	"	3.00	3.00	"	"	"	3.63	"	"	"	"	"	"	2"	"	"	"	"	"	43		
32	3.50	7.25	6.75	11.25	5.00	5.00	2.50	2.88	2.56	2.81	.25	.44	1.75	3.38	2.44	12.81	8.88	7.75	7.50	1.88x.094	1-1/4"	1.63	3.88	6.06	1.91	5.00	12.13	69
33	"	"	7.63	12.13	"	"	"	3.00	3.00	3.25	"	"	3.81	"	"	"	"	"	"	2-1/2"	1.75	"	"	"	"	74		
36	"	"	10.00	14.63	"	"	"	4.18	4.44	"	"	"	5.00	2.56	"	"	"	"	"	2-1/2"	1.75	"	"	"	"	102		
42	4.00	8.00	7.25	13.00	6.25	6.25	3.00	3.13	2.50	3.13	.31	.44	2.00	3.68	3.18	15.06	10.63	8.75	8.25	1.88x.094	1-1/2"	2.31	4.38	6.81	2.31	5.00	13.63	88
49	"	"	10.00	19.50	"	"	"	3.25	4.25	"	"	"	3.06	2.94	"	"	"	"	"	1-1/2"	2.31	"	"	"	"	"	109	
47	"	"	11.75	17.83	"	"	"	4.63	5.38	"	"	"	5.94	3.31	"	"	"	"	"	3"	2.31	"	"	"	"	"	128	
53	5.00	10.50	8.38	15.38	6.25	6.75	3.50	3.50	3.18	3.68	.25	.50	1.88	4.50	3.68	17.38	11.88	10.25	8.75	1.125	2.5	4.125	8.63	3.06	6.00	17.25	143	
56	"	"	11.00	17.50	"	"	"	4.25	5.00	"	"	"	5.81	3.38	"	"	"	"	"	2-1/2"	2.75	"	"	"	"	"	170	
59	"	"	14.00	21.00	"	"	"	6.00	6.50	"	"	"	7.31	3.88	"	"	"	"	"	4"	3.00	"	"	"	"	"	204	

ALL DIMENSIONS IN INCHES

REV.	DESCRIPTION	DATE	BY	DATE	CHKD.	APP.	SCALE	DIR.	NO.
1	REV. FROM BS126CH								
2	REV. FROM BS126CH								
3	REV. FROM BS126CH								
4	REV. FROM BS126CH								
5	REV. FROM BS126CH								

REV.	DESCRIPTION	DATE	BY	DATE	CHKD.	APP.	SCALE	DIR.	NO.
1	REV. FROM BS126CH								
2	REV. FROM BS126CH								
3	REV. FROM BS126CH								
4	REV. FROM BS126CH								
5	REV. FROM BS126CH								

REV.	DESCRIPTION	DATE	BY	DATE	CHKD.	APP.	SCALE	DIR.	NO.
1	REV. FROM BS126CH								
2	REV. FROM BS126CH								
3	REV. FROM BS126CH								
4	REV. FROM BS126CH								
5	REV. FROM BS126CH								

REV.	DESCRIPTION	DATE	BY	DATE	CHKD.	APP.	SCALE	DIR.	NO.
1	REV. FROM BS126CH								
2	REV. FROM BS126CH								
3	REV. FROM BS126CH								
4	REV. FROM BS126CH								
5	REV. FROM BS126CH								

REV.	DESCRIPTION	DATE	BY	DATE	CHKD.	APP.	SCALE	DIR.	NO.
1	REV. FROM BS126CH								
2	REV. FROM BS126CH								
3	REV. FROM BS126CH								
4	REV. FROM BS126CH								
5	REV. FROM BS126CH								

REV.	DESCRIPTION	DATE	BY	DATE	CHKD.	APP.	SCALE	DIR.	NO.
1	REV. FROM BS126CH								
2	REV. FROM BS126CH								
3	REV. FROM BS126CH								
4	REV. FROM BS126CH								
5	REV. FROM BS126CH								

REV.	DESCRIPTION	DATE	BY	DATE	CHKD.	APP.	SCALE	DIR.	NO.
1	REV. FROM BS126CH								
2	REV. FROM BS126CH								
3	REV. FROM BS126CH								
4	REV. FROM BS126CH								
5	REV. FROM BS126CH								

REV.	DESCRIPTION	DATE	BY	DATE	CHKD.	APP.	SCALE	DIR.	NO.
1	REV. FROM BS126CH								
2	REV. FROM BS126CH								
3	REV. FROM BS126CH								
4	REV. FROM BS126CH								
5	REV. FROM BS126CH								

ASSY DIM 22-59 URAI VH

DRESSER ROOTS

ROOTS DIVISION
DRESSER EQUIPMENT GROUP
A HALLIBURTON COMPANY
CONNEERSVILLE, IN USA

62795021

REV E