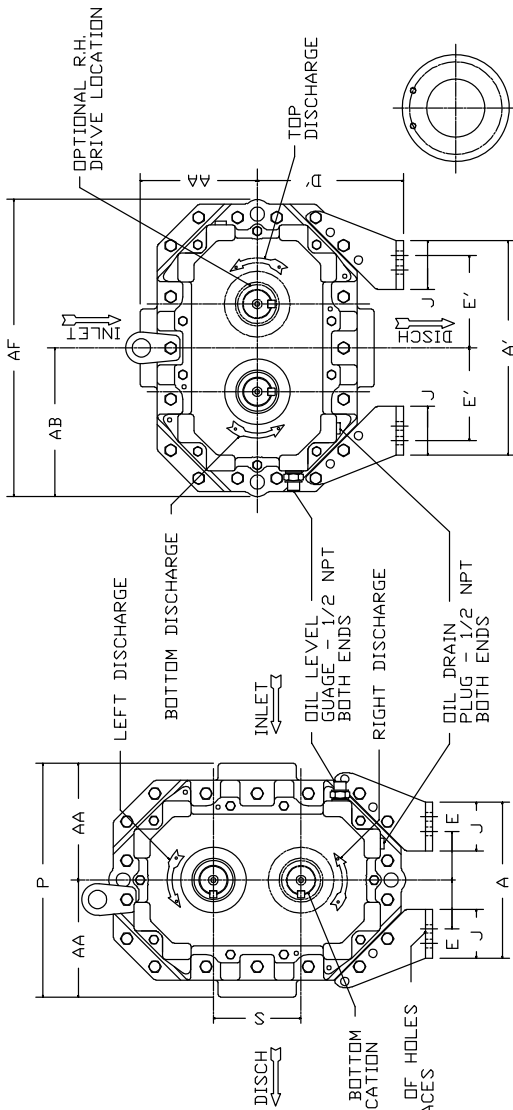
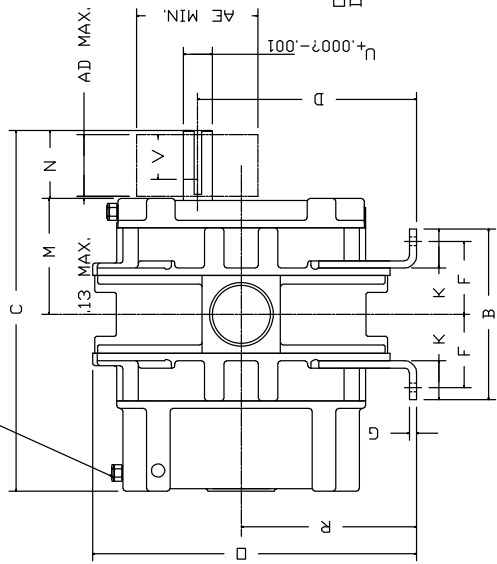


OIL FILL/ BREATHER - 1/2 NPT
BOTH ENDS



FLG	5"	6"	8"	10"
OPENING	5"	6"	8"	10"
BOLT CIRCLE	8.50	9.50	11.75	14.25
FLANGE O.D.	10.00	11.00	13.50	16.00
No TAPPED HOLES	8	8	8	12
SIZE HOLES	3/4-10	3/4-10	3/4-10	3/4-10
TAP DEPTH	1.13	1.13	1.13	1.13

A 5048V B 5048V C 5560V D 5767V
E 5986V F 6006V

INLET & DISCHARGE FLANGES TO
MATE FLUSH & SQUARE WITH
FLAT FACE FLANGE ONLY.
USE FULL FACE GASKETS.
V-BELT DRIVEN UNITS: MOTOR
TO BE LOCATED ON INLET SIDE
OF BLOWER.

W - INLET
W' - DISCHARGE
AD - MAXIMUM SHEAVE WIDTH
(SEE OVERHUNG LOAD LIMIT K-24102)
AE - MINIMUM SHEAVE DIAMETER
(SEE OVERHUNG LOAD LIMIT K-24102)
ALL DIMENSIONS IN INCHES

FRAME SIZE	A	A'	B	C	D	D'	E	E'	F	G	H	J	K	M	N	O	P	R	S	U	V	KEYWAY	W	W'	AA	AB	AD	AE	AF	APPROX WEIGHT
404	8.00	11.00	8.75	18.50	11.25	7.50	2.50	4.75	3.75	.38	.44	2.50	2.00	5.95	3.48	16.63	12.00	9.00	4.50	1.50	2.75	.375X.188	3"NPT	3"NPT	6.00	7.63	3.06	7.10	15.25	230
406	"	"	10.75	20.50	"	"	"	"	4.75	"	"	"	"	6.95	"	"	"	"	"	"	"	"	4"NPT	4"NPT	5.50	"	"	"	260	
409	"	"	13.75	23.50	"	"	"	"	6.25	"	"	"	"	8.45	"	"	"	"	"	"	"	"	6"FLG	6"FLG	"	"	"	"	300	
412	"	"	16.75	26.50	"	"	"	"	7.75	"	"	"	"	9.66	"	"	"	"	"	"	"	"	8"FLG	8"FLG	"	"	"	"	360	
418	"	"	22.75	32.50	"	"	"	"	10.75	"	"	"	"	12.91	"	"	"	"	"	"	"	"	8"FLG	8"FLG	"	"	"	"	440	
616	9.00	15.00	20.75	32.19	15.00	9.00	3.50	6.50	9.75	.38	.56	2.50	2.00	12.41	4.30	22.00	14.50	12.00	6.00	2.00	3.63	.500X.250	8"FLG	8"FLG	7.25	10.00	4.44	8.50	20.00	650
624	"	"	28.75	40.19	"	"	"	"	13.75	"	"	"	"	16.41	"	"	"	"	"	"	"	"	10"FLG	10"FLG	"	"	"	"	775	

CERTIFIED CORRECT FOR		K	REMOVED AA'
CUSTOMER ORDER NO.	J	REV. DIM "H" DN 600	BELTS
ROOTS ORDER NO.	H	REV. DIM "AF" DN 600	DRIVE SHEAVE
DATE	G	REV. DIM "M" DN 624	DRIVE SHEAVE
BY		CHKD.	APP.
RDR 6484V		RDR 6294V	BMS AGP
RDR 6260V		BMS AGP	DRIVE SHEAVE
RDR 6166V		BMS DB	DRIVE SHEAVE
V-BELT DRIVE DATA			
400/600 SERIES			
RAM			
(NON-WHISPAIR) RAM			
RDR	DR	BMS	CHKD
RDR	DR	BMS	CHKD
RDA	APP	RDA	APP
78390021			XXA1
REV. K			



ROOTS DIVISION
DRESSER EQUIPMENT GROUP
A HALLIBURTON COMPANY
CONNERSVILLE, IN USA

PRINTED IN U.S.A.

www.btmnequip.com

242 POPLAR ST • P.O. BOX 8053 • TOLEDO, OH 43605 • (419) 691-3571 • FAX (419) 691-1928
6235 WEST 161ST STREET • CLEVELAND, OHIO 44142 • (216) 285-0866 • FAX (216) 285-0867
1-800-882-1992 (OHIO TOLL FREE) 1-855-691-0821 (MICHIGAN TOLL FREE)

Since 1948

TOMLIN
Equipment Co.

INDUSTRIAL EQUIPMENT • MAJOR STOCKING DISTRIBUTOR
ENGINEERING • SALES • SERVICE • PARTS