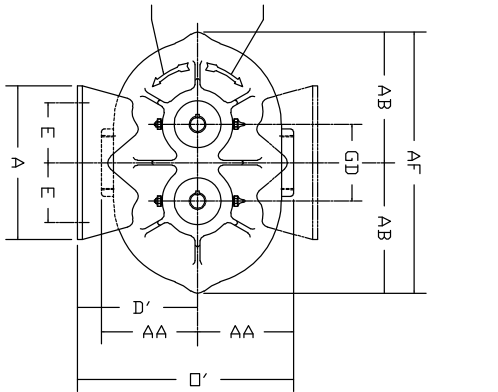
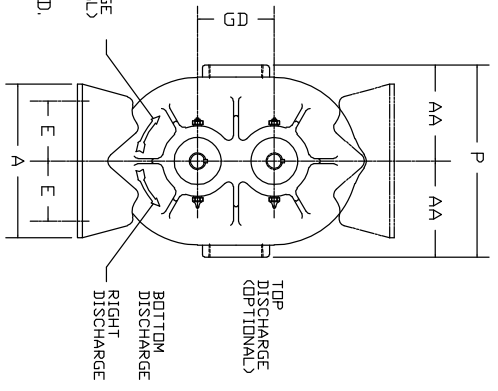
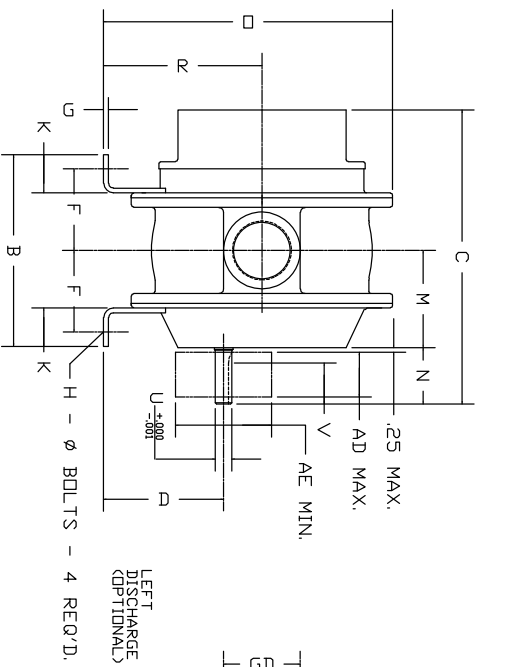


FRAME	APPROX. DIL. CAPACITY
3-1/2	VERTICAL 8.5 FL. OZ. HORIZONTAL 16 FL. OZ.
4	12.7 FL. OZ. 22.8 FL. OZ.
5	16.0 FL. OZ. 27.6 FL. OZ.



UNIVERSAL RAI-J WHISPAIR BLOWER

V - INLET & DISCHARGE
AD - SHEAVE WIDTH
AE - SHEAVE DIAMETER

ALL DIMENSIONS IN INCHES

FRAME SIZE	GD	A	B	C	D	D'	E	F	G	H	K	M	N	O	Q'	P	R	U	KEYWAY	W	V	AA	AB	AD	AE	AF	APPROX. WT. LBS		
33	3.50	7.25	7.63	12.13	5.00	5.00	2.50	2.88	3.00	3.25	.25	.44	1.75	3.81	2.44	12.81	10.00	10.00	6.75	7.50	.188x.094	2"	1.63	5.00	6.06	1.91	5.00	12.13	84
36	4.00	8.00	8.50	13.50	6.25	6.25	3.00	3.13	3.56	4.25	.31	.44	2.00	5.06	2.94	15.06	12.25	12.00	8.25	8.75	.188x.094	2-1/2"	2.13	6.00	6.81	2.31	5.00	13.63	119
47	5.00	10.50	11.25	17.50	8.75	8.75	3.50	3.50	4.25	5.00	.35	.50	2.50	5.81	3.38	17.38	14.00	14.50	11.25	12.5	.25x.125	4"	2.50	7.25	8.63	3.06	6.00	17.25	180

CONFIDENTIAL
THIS DOCUMENT CONTAINS CONFIDENTIAL INFORMATION OF DRESSER DIVISION, DRESSER INDUSTRIES, INC. IT SHALL BE HELD IN STRICTEST CONFIDENCE, AND BE USED ONLY IN CONNECTION WITH DRESSER DIVISION BUSINESS.

REF. EP938	CONCENTRICITY	1 PERPENDICULARITY
FLATNESS	PROFILE OF LINE	PROFILE OF SURFACE
PARALLELISM	DIAMETER	FINISH IN MICRO INCHES
TRUE POSITION	FINISH IN MICRO INCHES	FINISH IN MICRO INCHES
STRAIGHTNESS	FINISH IN MICRO INCHES	FINISH IN MICRO INCHES

FN FILE# FRWN BS1ZEGCH I 2 3 4 5 6

No. REC'D.	PART NAME	PART No.	MAT'L.
------------	-----------	----------	--------

ASSY DIM URAI J
33,45,55 URAI



ROOTS DIVISION
DRESSER EQUIPMENT GROUP
A HALLIBURTON COMPANY
CONNEERSVILLE, IN USA

DIMENSIONAL TOLERANCES UNLESS OTHERWISE SPECIFIED
FRACTIONS DECIMALS
1/16 3/32 1/8 5/16 3/8 1/2 5/8 3/4 7/8 1 1 1/4 1 1/2 1 3/4 2 2 1/4 2 1/2 3 3 1/2 4 4 1/2 5 5 1/2 6 6 1/2 7 7 1/2 8 8 1/2 9 9 1/2 10 11 11 1/2 12 13 14 15 16 17 18 19 20 21 22 23 24 25 26 27 28 29 30 31 32 33 34 35 36 37 38 39 40 41 42 43 44 45 46 47 48 49 50 51 52 53 54 55 56 57 58 59 60 61 62 63 64 65 66 67 68 69 70 71 72 73 74 75 76 77 78 79 80 81 82 83 84 85 86 87 88 89 90 91 92 93 94 95 96 97 98 99 100
73959021

ORDER No. 73959021 REV C